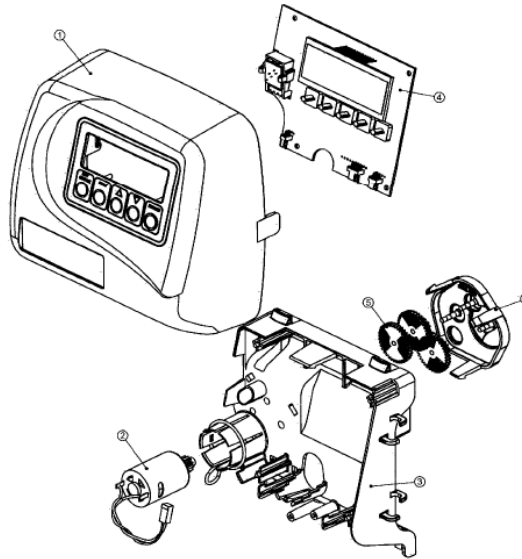


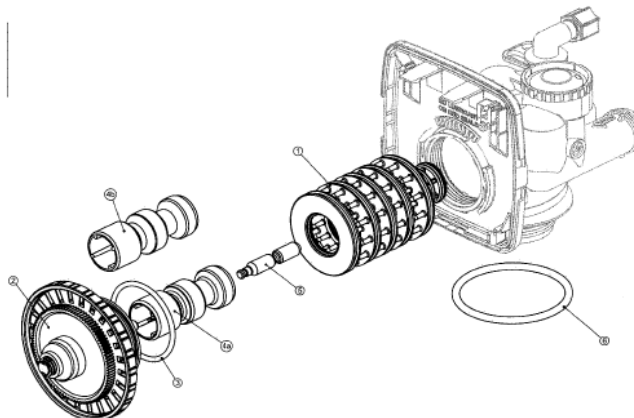


**PARTS
FRONT COVER AND DRIVE
ASSEMBLY
EXPLODED VIEW**



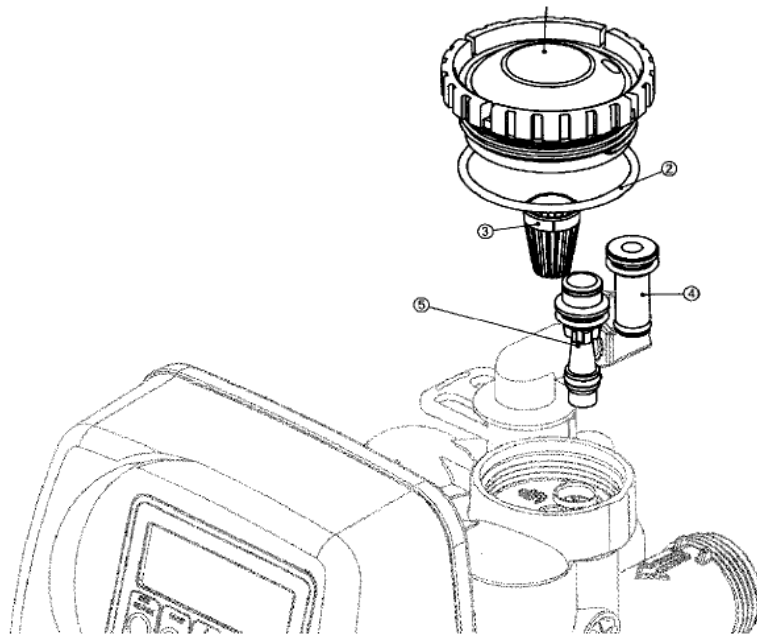
F2 Replacement Parts		
F2 Front Cover Assembly	V317501	\$36.75
F2CC Front Cover Assembly	V3175CC01	\$42.50
F2TC Front Cover Assembly	V3175TC01	\$36.75
F2 Motor	V310701	\$35.75
Drive Bracket and Spring Clip	V310601	\$17.25
F2 PC Board	V3108	\$270.50
F2CC PC Board	V3108CC	\$288.75
F2TC PC Board	V3108TC	\$181.25
Drive Gear 12X 36	V3110	\$2.75
Drive Gear Cover	V3109	\$7.00
F2 Drive Assembly (*part keys 2 through 6)	V3002	\$309.00
F2CC Drive Assembly (*part keys 2 through 6)	V3002	\$309.00
F2TC Drive Assembly (*part keys 2 through 6)	V3002	\$309.00
Transformer 110V-12V	V3186	\$41.00

**F2/F2CC/F2TC
DRIVE CAP, SPACER STACK
AND PISTON ASSEMBLIES
EXPLODED VIEW**



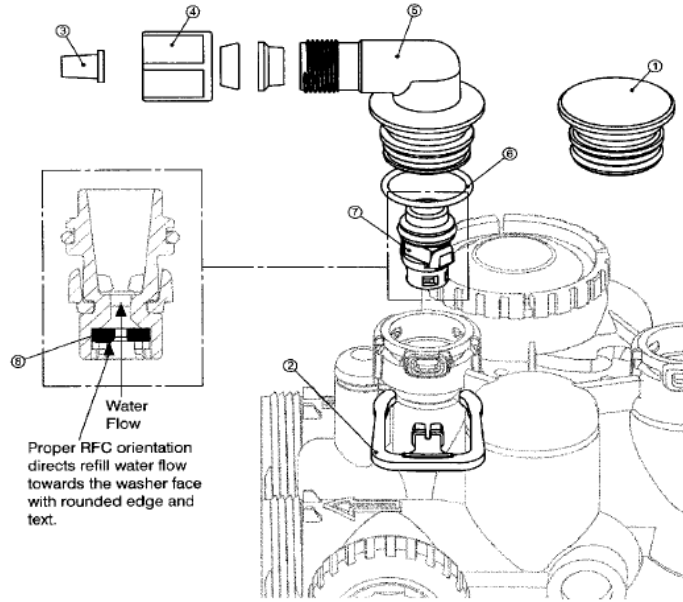
<p align="center">F2/F2CC/F2TC DRIVE CAP, SPACER STACK AND PISTON ASSEMBLIES</p> <p><i>*note: regenerant piston is not used in backwash only (filter) applications</i></p>	F2 Spacer Stack Assembly	V3005	\$82.50
	Drive Cap Assembly	V3004	\$46.50
	O-ring 228	V3135	\$2.75
	F2 Downflow Piston Assembly (marked 'DN')	V3011	\$23.50
	F2 Upflow Piston Assembly (marked 'UP')	V301101	\$55.50
	*F2 Regenerant Piston	V3174	\$16.00
	O-Ring 337	V3180	\$4.50

**SCREENS
AND INJECTOR CAP
EXPLODED VIEW**



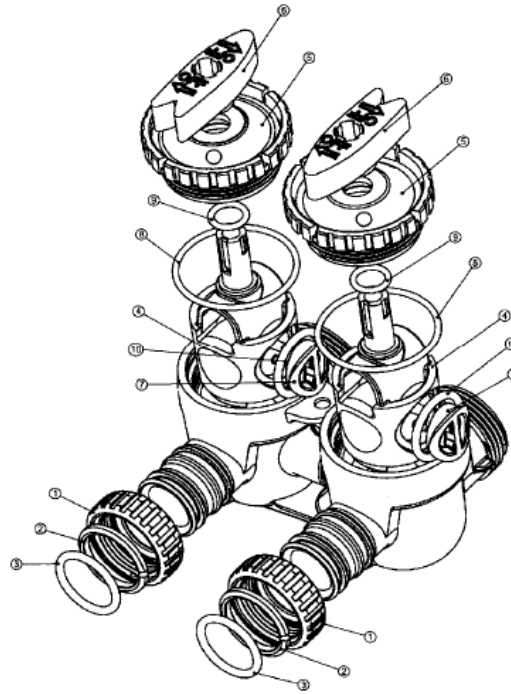
<p align="center">F2/F2CC/F2TC INJECTORS, SCREENS AND INJECTOR CAP</p>	Injector Cap	V3176	\$5.00
	O-ring 135	V3152	\$2.25
	Injector Screen	V3177	\$4.50
	F2 Injector Assembly Z-Plug	V30101Z	\$3.00
	Injector Assembly 'A' Black	V30101A	\$8.75
	Injector Assembly 'B' Brown	V30101B	\$8.75
	Injector Assembly 'C' Violet	V30101C	\$8.75
	Injector Assembly 'D' Red	V30101D	\$8.75
	Injector Assembly 'E' White	V30101E	\$8.75
	Injector Assembly 'F' Blue	V30101F	\$8.75
	Injector Assembly 'G' Yellow	V30101G	\$8.75
	Injector Assembly 'H' Green	V30101H	\$8.75
	Injector Assembly 'I' Orange	V30101I	\$8.75
	Injector Assembly 'J' Blue	V30101J	\$8.75
	Injector Assembly 'K' Light Green	V30101K	\$8.75
	O-ring 011	V3170	\$1.00
	O-ring 013	V3171	\$1.00

F2/F2CC/F2TC
REFILL AND REFILL PORT
PLUG
EXPLODED VIEW



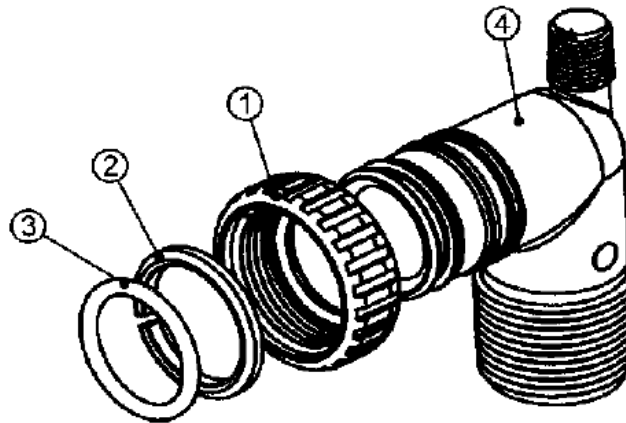
KEY	PRODUCT TYPE	DESCRIPTION	P/N	LIST PRICE EA
76	F2/F2CC/F2TC REFILL AND REFILL PORT PLUG	F2 Refill Port Plug Assembly (<i>filter systems only</i>)	V319501	\$12.25
77		Elbow Locking Clip	H4615	\$1.25
78		Polytube Insert, 3/8"	JCPP6	\$1.00
79		Nut, 3/8"	JCPG6PBLK	\$2.00
80		Elbow Cap, 3/8"	H4613	\$3.25
81		O-ring 019	V3163	\$1.25
82		Refill Flow Control Retainer Assembly	V316501	\$9.00
83		F2 Refill Flow Control	V3182	\$2.50
84		Elbow, 1/2" with Nut and Insert	H4650	\$14.25
85	F2/F2CC/F2TC 3/4" DRAIN LINE COMPONENTS (<i>diagram page 5</i>)	Elbow Locking Clip	H4615	\$1.25
86		Polytube Insert, 5/8"	PKP10TS8BULK	\$2.50
87		Nut, 3/4" Drain Elbow	V3192	\$2.75
88		Drain Elbow, 3/4" Male Assembly	V315801	\$9.00
89		O-ring 019	V3163	\$1.25
90		DLFC Retainer Assembly	V315901	\$3.75
		DLFC 007 (.7GPM), 3/4"	V3162-007	\$5.25
		DLFC 010 (1.0GPM), 3/4"	V3162-010	\$5.25
		DLFC 013 (1.3GPM), 3/4"	V3162-013	\$5.25
		DLFC 017 (1.7GPM), 3/4"	V3162-017	\$5.25
		DLFC 022 (2.2GPM), 3/4"	V3162-022	\$5.25
		DLFC 027 (2.7GPM), 3/4"	V3162-027	\$5.25
		DLFC 032 (3.2GPM), 3/4"	V3162-032	\$5.25
		DLFC 042 (4.2GPM), 3/4"	V3162-042	\$5.25
		DLFC 053 (5.3GPM), 3/4"	V3162-053	\$5.25
	<i>F2 Valves are shipped without drain line flow control (DLFC) - Install DLFC before using.</i>			

**F2 BYPASS VALVE
EXPLODED VIEW**



INSTALLATION FITTING ASSEMBLIES	Nut, 1" Quick Connect	V3151	\$2.50
	Split Ring	V3150	\$1.25
	O-ring 215	V3105	\$1.25
	Fitting, 1" PVC Male NPT Elbow	V3149	\$6.00
	Fitting, 3/4" & 1" PVC Solvent Elbow	V3189	\$6.00
	Fitting, 1" Sweat Brass	V3188	\$19.50
	Fitting, 3/4" Sweat Brass	V318801	\$15.00

**F2/F2CC/F2TC
INSTALLATION FITTING
ASSEMBLIES
EXPLODED VIEW**



KEY	PRODUCT TYPE	DESCRIPTION	P/N	LIST PRICE EA
113	F2/F2CC TURBINE AND F2TC METER PLUG	Nut, 1" Quick Connect	V3151	\$2.50
114		F2 Meter Assembly*	V3003	\$119.25
115		F2 Turbine Assembly	V311801	\$30.00
116		O-ring 215	V3105	\$1.25
117		F2 Meter Plug Assembly	V300301	\$11.00
	<i>*includes F2 turbine and 215 o-ring</i>			

F2/F2CC TURBINE
AND F2TC METER PLUG
EXPLODED VIEW

